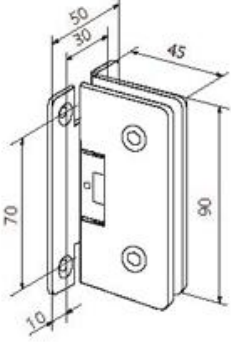
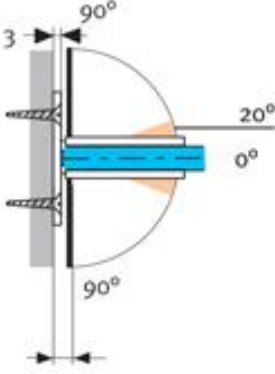
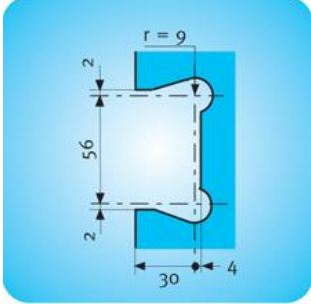
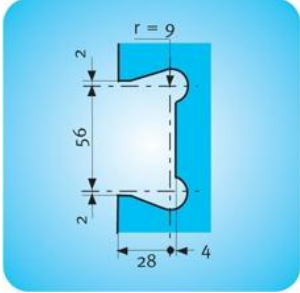


TECHNICAL DATA SHEET – CS60

<u>DIMENSIONAL DRAWING</u>	<u>ANGLE</u>	<u>CUT-OUTS</u>
		
	Glass/Wall 3 ou 5 mm	3 mm
		<u>CUT-OUTS</u>
		
		5 mm