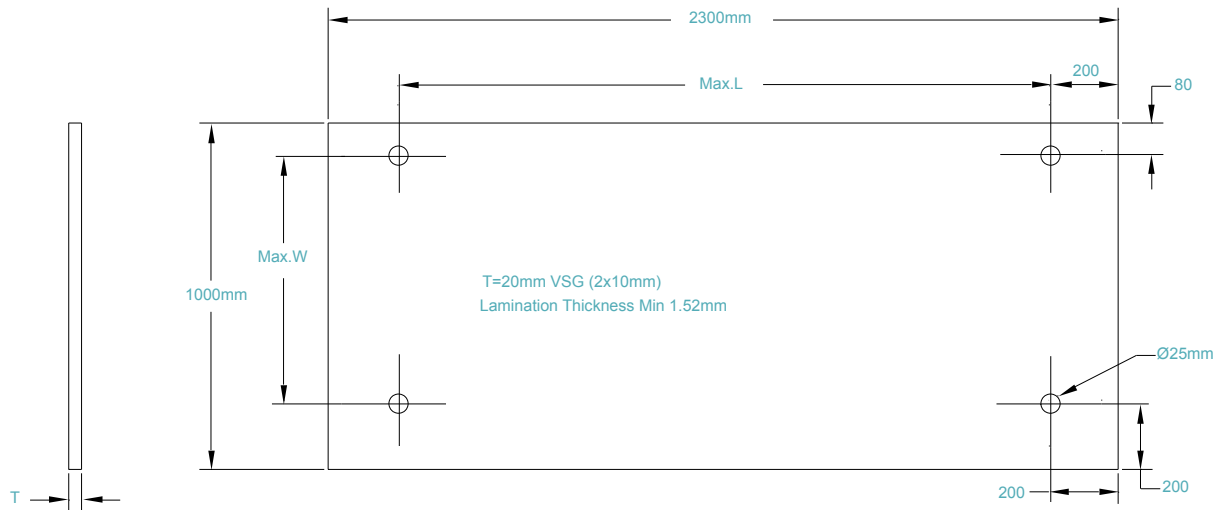
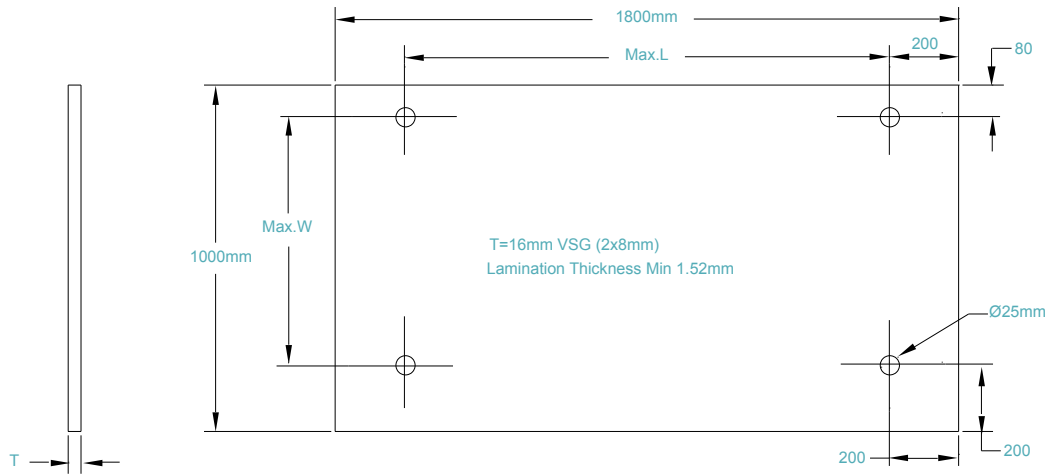


Technical Info For Heavy Duty Applications



FIXED AT 4 POINTS

Length (L)	Width (W)	Glass Thickness (T)	Load Bearing Capacity
1400 mm	720 mm	VSG = 2 X 8 mm TVG	1.05 kN / m ²
1400 mm	720 mm	VSG = 2 X 8 mm TVG	0.80 kN / m ²
1500 mm	720 mm	VSG = 2 X 10 mm TVG	1.05 kN / m ²
1800 mm	720 mm	VSG = 2 X 10 mm TVG	1.05 kN / m ²
1900 mm	720 mm	VSG = 2 X 10 mm TVG	0.80 kN / m ²