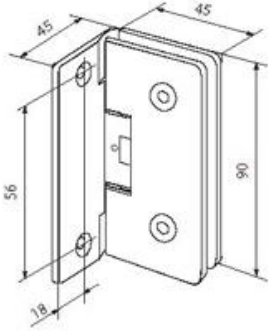
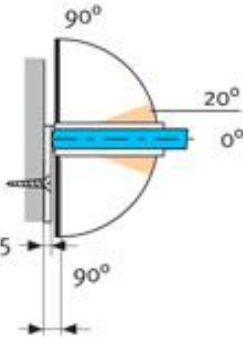
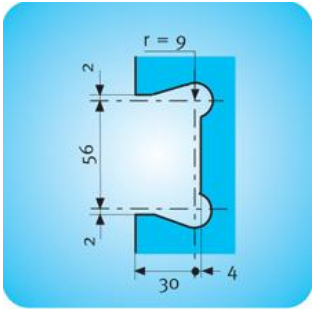
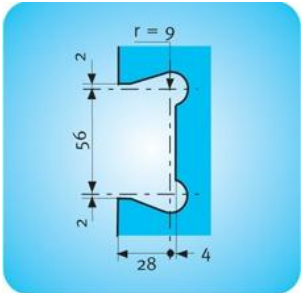


TECHNICAL DATA SHEET – CS620

<u>DIMENSIONAL DRAWING</u>	<u>ANGLE</u>	<u>CUT-OUTS</u>
		
	<p style="text-align: center;">Glass/Wall 3 or 5 mm</p>	<p style="text-align: center;">3 mm</p>
		<p style="text-align: center;"><u>CUT-OUTS</u></p>
		
		<p style="text-align: center;">5 mm</p>