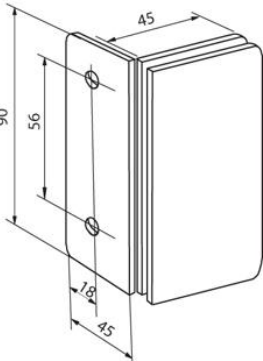
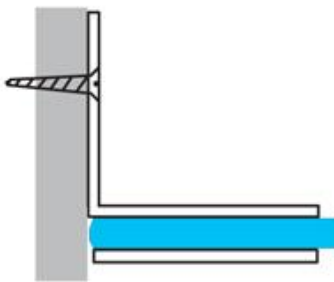
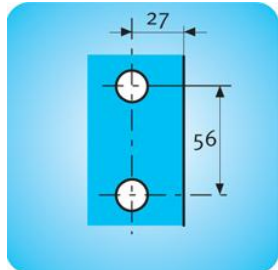


TECHNICAL DATA SHEET – CS507

<u>DIMENSIONAL DRAWING</u>	<u>ANGLE</u>	<u>CUT-OUTS</u>
		
		2 holes \varnothing 18 mm