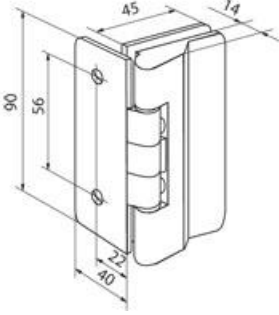
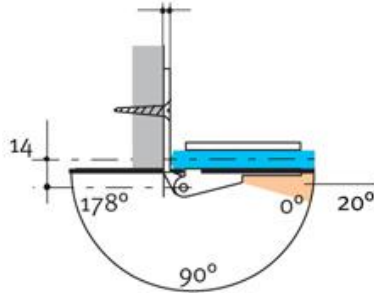
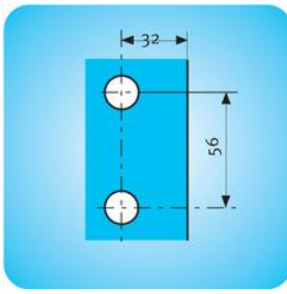


TECHNICAL DATA SHEET– CS726

<u>DIMENSIONAL DRAWING</u>	<u>ANGLE</u>	<u>CUT-OUTS</u>
		
	<p align="center">Glass/Wall 6 mm</p>	<p align="center">2 holes \varnothing 18 mm</p>