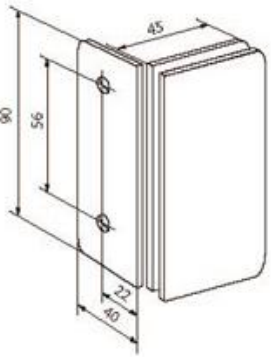
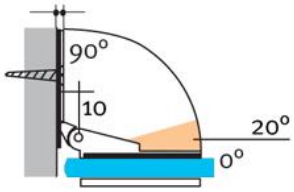
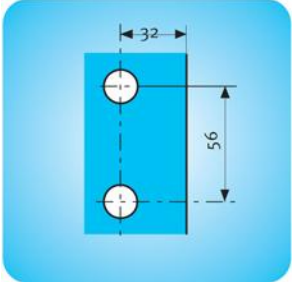


TECHNICAL DATA SHEET – CS726-I

<u>DIMENSIONAL DRAWING</u>	<u>ANGLE</u>	<u>CUT-OUTS</u>
	 <p data-bbox="662 896 869 929">Glass/Wall 6 mm</p>	 <p data-bbox="1093 896 1316 929">2 holes \varnothing 18 mm</p>