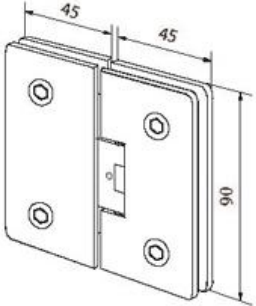
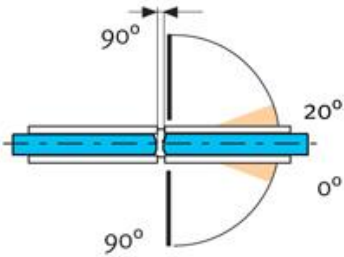


TECHNICAL DATA SHEET – CS61

<u>DIMENSIONAL DRAWING</u>	<u>ANGLE</u>	<u>CUT-OUTS X 2</u>
	 <p data-bbox="657 855 874 891">Glass/Glass 2 mm</p>	