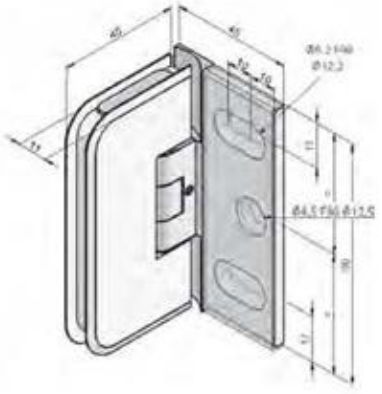
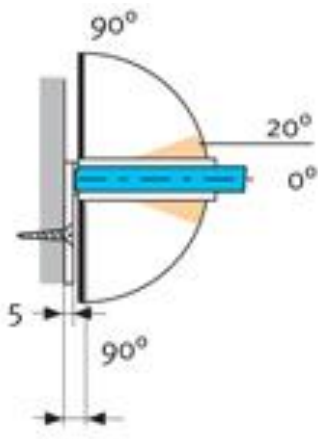
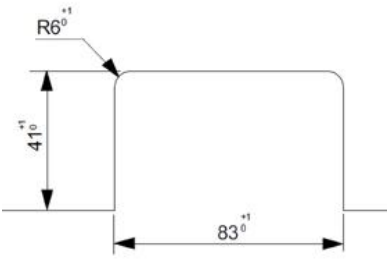


TECHNICAL DATA SHEET – CS2MH

<u>DIMENSIONAL DRAWING</u>	<u>ANGLE</u>	<u>CUT-OUTS</u>
		
		Glass/Wall 6 mm